

Sainless Steel Mechanical Code Lock SS-500 serie

Rustfri Stål Kodelås SS- 500 serie

A range of mechanical pushbutton locks for internal and external environments.



- The lock is factory set with a randomly selected 5 digit code starting with the C button.
- The code is not recorded by the factory.
- The code can be changed as often as required to any other 5 digit code.
- Every new code must start with the C button.
- Using the spare tumblers, the code length can be changed to 4 or 6 digits, gives a total of 463 combinations

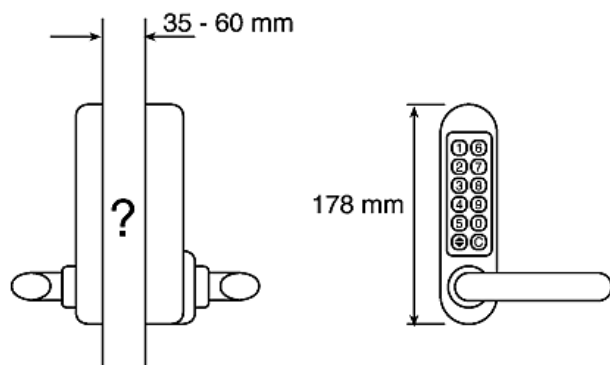
Neoprene seals are included on both sides to provide friction against the face of the door and to prevent damage from over tightening of the fixing bolts.

The outside lever handle has a slipping clutch to prevent damage to the lock if the handle is forced.

Sainless Steel Mechanical Code Lock SS-500 serie

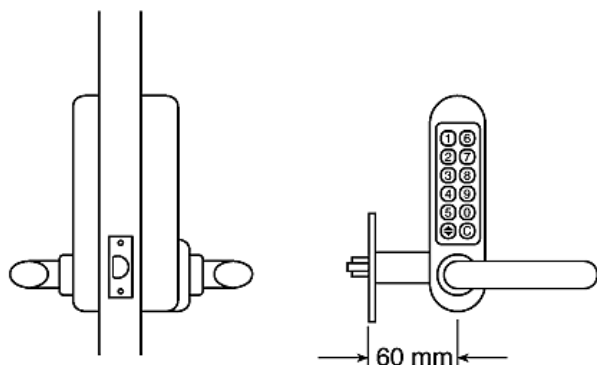
Rustfri Stål Kodelås SS- 500 serie

SS- 505



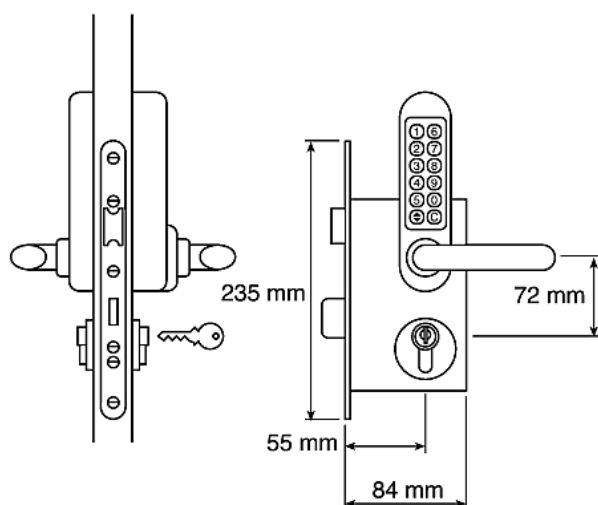
For use with existing mortice lock

SS- 515



Include a deadlocking tubular mortice latch

SS- 525



Include mortice lock and cylinder with 3 keys